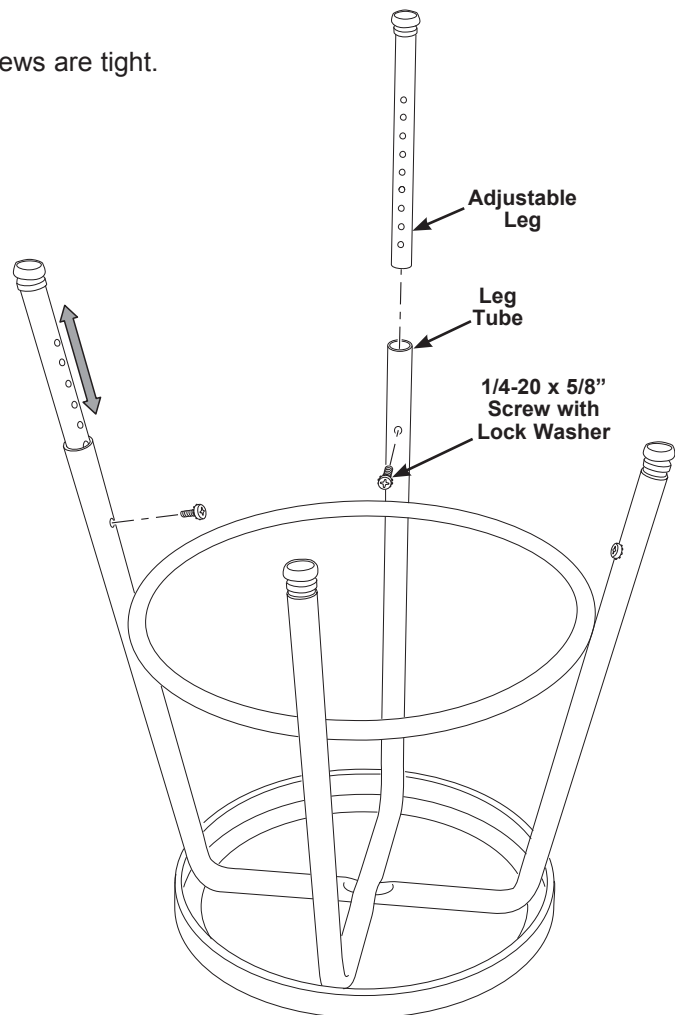


1. Remove the four Adjustable Legs from the parts bag.  
Remove the 1/4-20 x 5/8" Screws with Lock Washers from each Adjustable Leg using a #3 Phillips screw driver.
2. Carefully turn the Stool Assembly upside down onto a soft protective surface.  
Slide each Adjustable Leg into the Leg Tube of the Stool Frame and align the mounting holes to the desired stool height.
3. Thread each Screw through the mounting hole in the Leg Tube and into the Adjustable Leg until the Lock Washer fits snugly.  
Tighten all Screws securely.
4. Check periodically to determine that all Screws are tight.



**Note:** Please read and understand these instructions before using or setting up.

**Note:** If you need additional information, contact Wenger Corporation using the information below.